

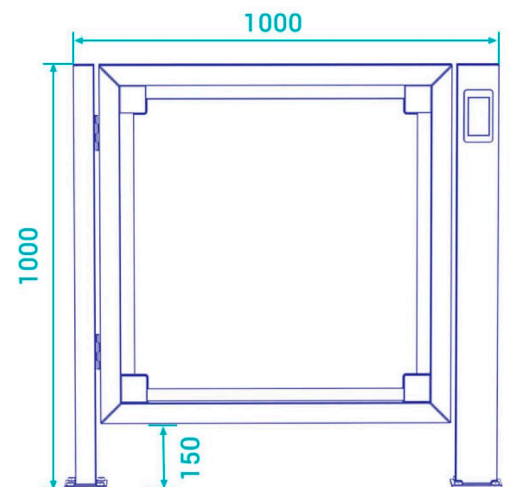


DSSP6002A Pedestrian Security Gate

Features

- The pedestrian security gate device is designed to work together with our turnstile gate.
- Support to integrate with any kind of third-party access control system.
- The body is made of brushed stainless steel +glass, which is anti-rust, durable, and good looking.
- It is suitable for both indoor and outdoor applications.
- Working way: single direction.
- Passing width support for handicapped /wheelchairs/emergency purpose.
- Automatically open when power off or fire systems alarm.
- Easy installation and maintain.
- 3 years free warranty.

Dimensions



Specifications

Model No.	DSSP6002A
Brand	Daosafe
Framework Material	304 Full Stainless Steel + Plexiglas Arm
Dimension	1000 * 1000(mm)
Weight	35kg/pcs
Power Supply	AC220V/110V, 50/60Hz
Operation Voltage	24V DC
Power Consumption	20W
Operation Temperature	-15 °C - 60 °C
Operation Humidity	0 ~ 95% (No freeze)
Working Environment	Indoor / Outdoor
Emergency	Automatically open when power off or fire alarm